

Sequoia Circle Drainage Improvements PH II

for

City of Hinesville

Liberty County, Georgia

Date: May 28, 2019

SHEET INDEX:

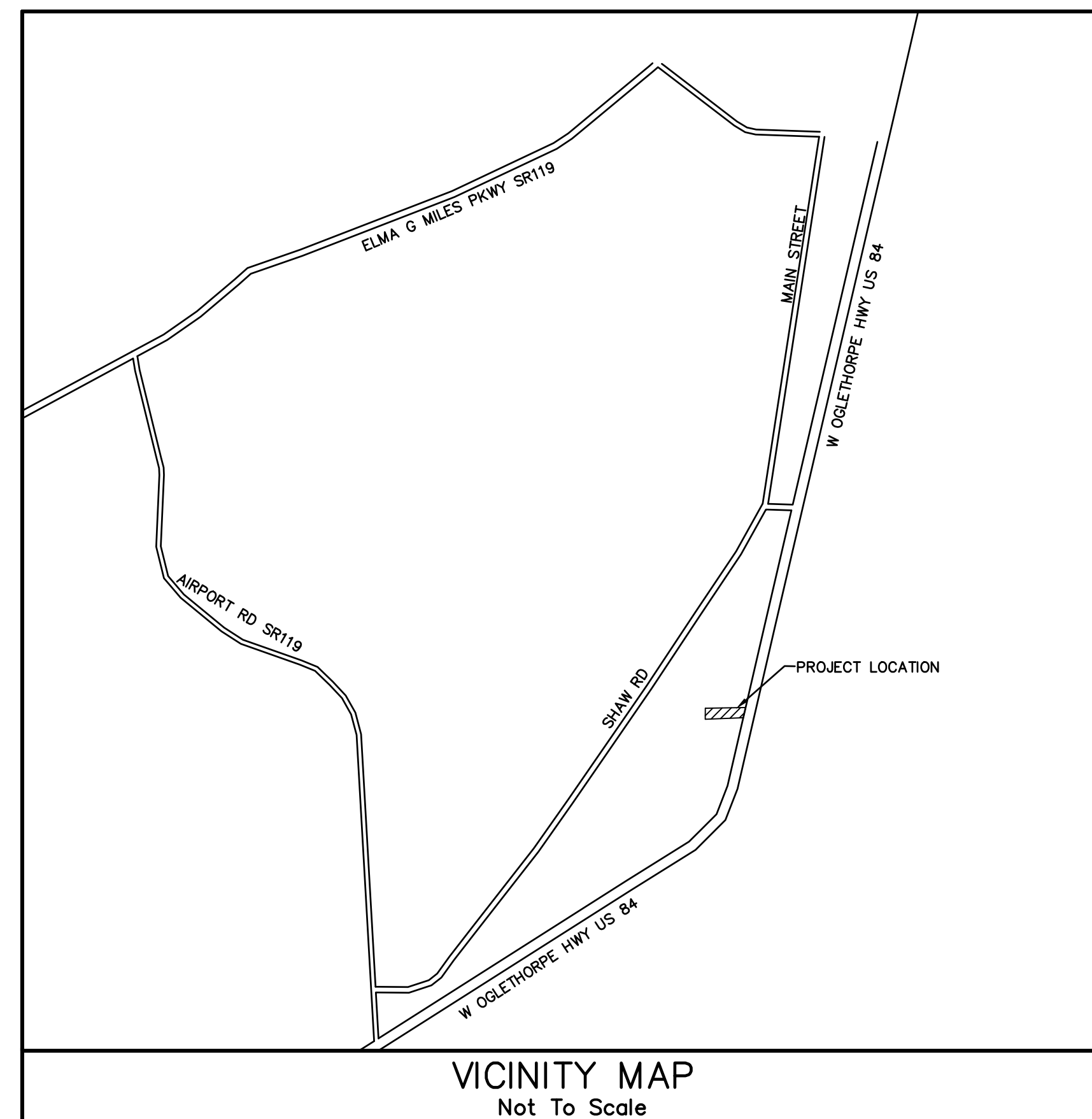
DESCRIPTION

1. PLAN, PIPE PROFILE & DETAILS

SHEET

SHEET 1

DRAWING LEGEND		
DESCRIPTION	PROPOSED	EXISTING
SANITARY SEWER	—SS—	—SS—
UNDERGROUND WATER LINE	—W—	—W—
FORCE MAIN	—FM—	—FM—
STORM DRAINAGE PIPE	—SD—	—SD—
UNDERGROUND TELEPHONE LINE	—T—	—T—
UNDERGROUND TELEPHONE CONDUIT	—TC—	—TC—
UNDERGROUND GAS LINE	—12"G—	—12"G—
DITCH CENTERLINE	—DC—	—DC—
TOP OF CURB & GUTTER ELEVATIONS	TC=90.00 G=89.50	EX TC=90.00 EX G=89.50
SPOT ELEVATION	X=90.00	X=90.00
FIRE HYDRANT		
SEWER MANHOLE		
WATER VALVE		
TELEPHONE MANHOLE		
LIGHT POLE		
SIGN		
WATER METER		
BENCHMARK		
CONCRETE MONUMENT FOUND		
GUY POLE		
IRON PIN FOUND		
IRON PIN SET		
TELEPHONE PEDESTAL		
POWER POLE		
HANDICAP SPACE		
SEDIMENT BASIN MARKER W/NOTCH		



GENERAL NOTES

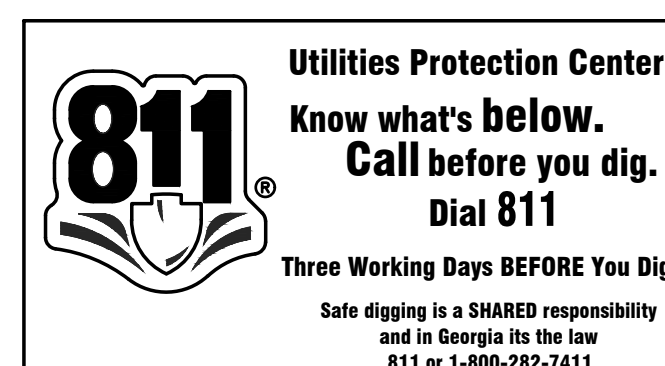
- ALL EXISTING UTILITIES SHOWN ARE LOCATED FROM BEST AVAILABLE INFORMATION. THE CONTRACTOR SHALL BE RESPONSIBLE FOR ACTUAL FIELD LOCATION AND PROTECTION OF EXISTING UTILITIES. OVERHEAD LINES ARE NOT SHOWN FOR CLARITY.
- ALL DISTURBED AREAS TO BE REVEGETATED IMMEDIATELY AFTER CONSTRUCTION, IN ACCORDANCE WITH THE MANUAL FOR EROSION AND SEDIMENT CONTROL IN GEORGIA.
- ALL EROSION AND SEDIMENTATION CONTROL STRUCTURES SHALL BE INSTALLED PRIOR TO OR CONCURRENT WITH START OF CONSTRUCTION.
- THE CONTRACTOR SHALL BE RESPONSIBLE FOR THE REPLACEMENT OF ANY PROPERTY CORNERS, RIGHT OF WAY MONUMENTS, SIGNS OR OTHER STRUCTURES DISTURBED DURING CONSTRUCTION.
- ALL TRAFFIC AND SIGNAGE CONTROL SHALL BE IN ACCORDANCE WITH THE TRAFFIC CONTROL MANUAL GUCC, CURRENT EDITION.

OWNER/AGENT

THE CITY OF HINESVILLE
CONTACT: KENNETH HOWARD
115 EAST M.L. KING JR. DRIVE
HINESVILLE, GA 31313
TEL: (912) 876-3564
FAX: (912) 369-2416

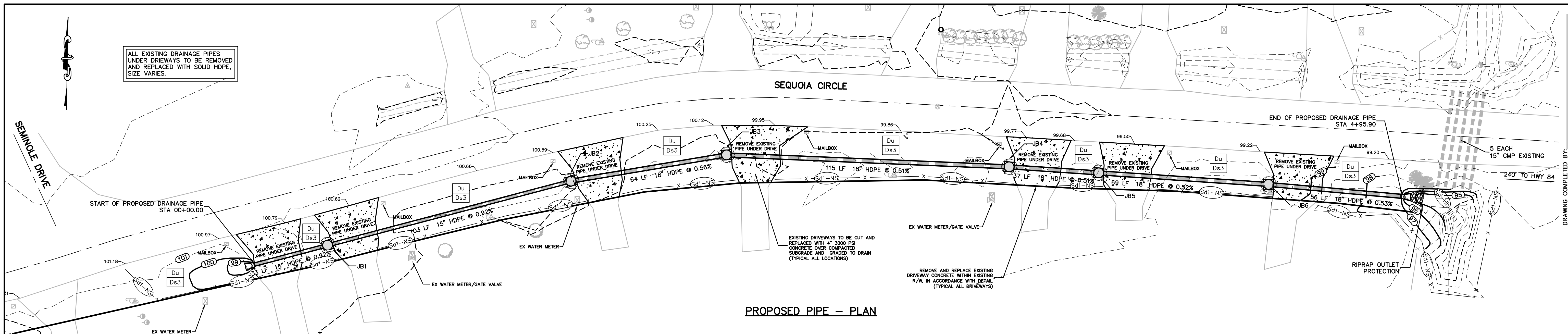


DATE: _____

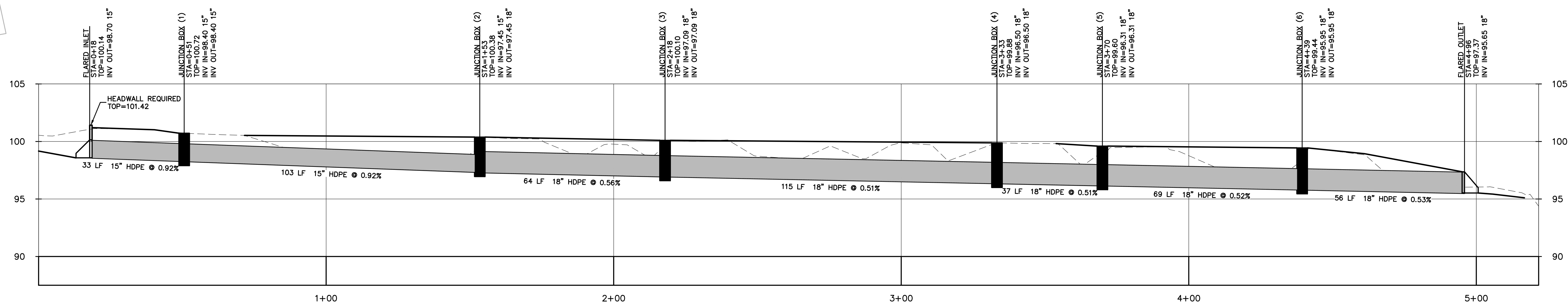


JOB NO. 2017-98.1 PRJ

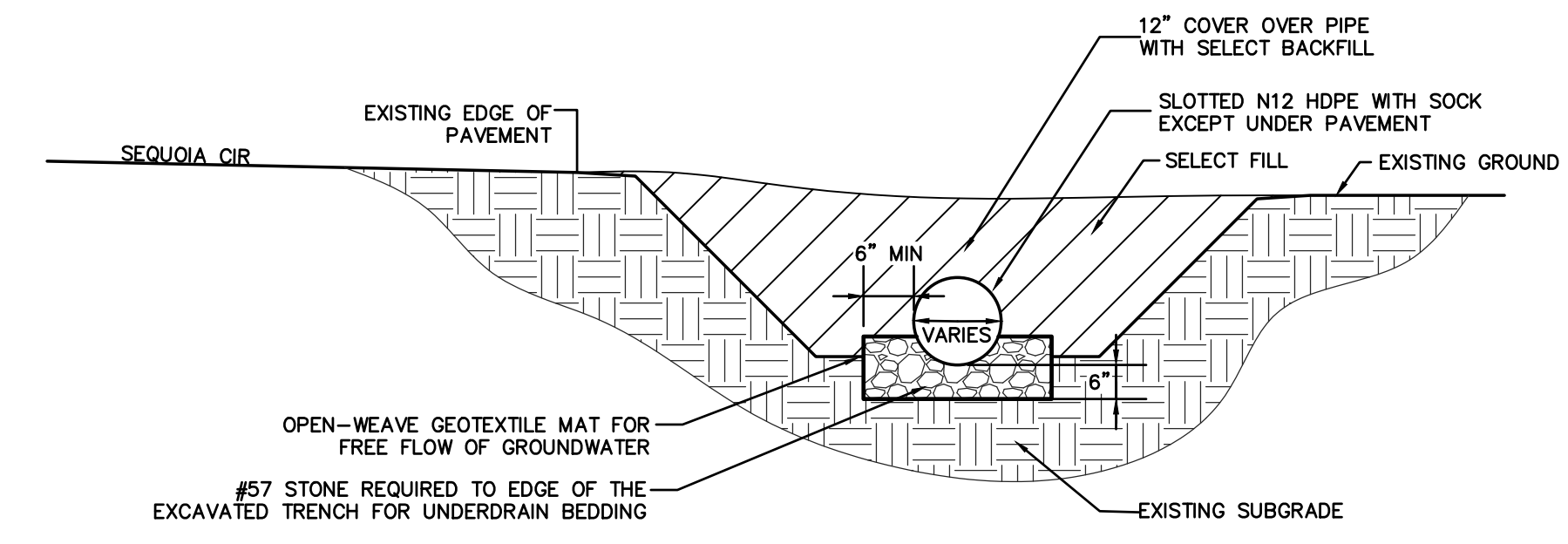
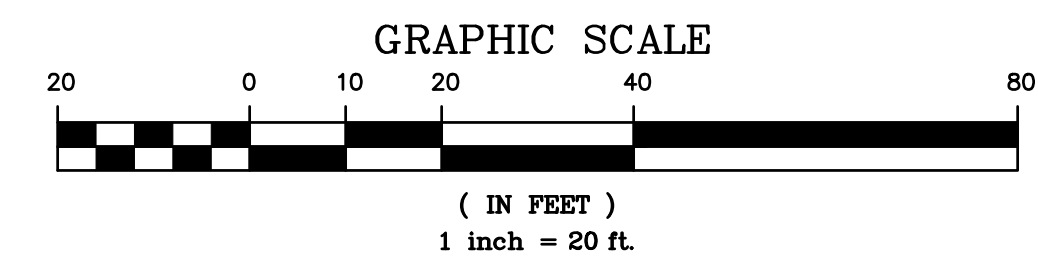
REVISION NO.	DATE	DESCRIPTION



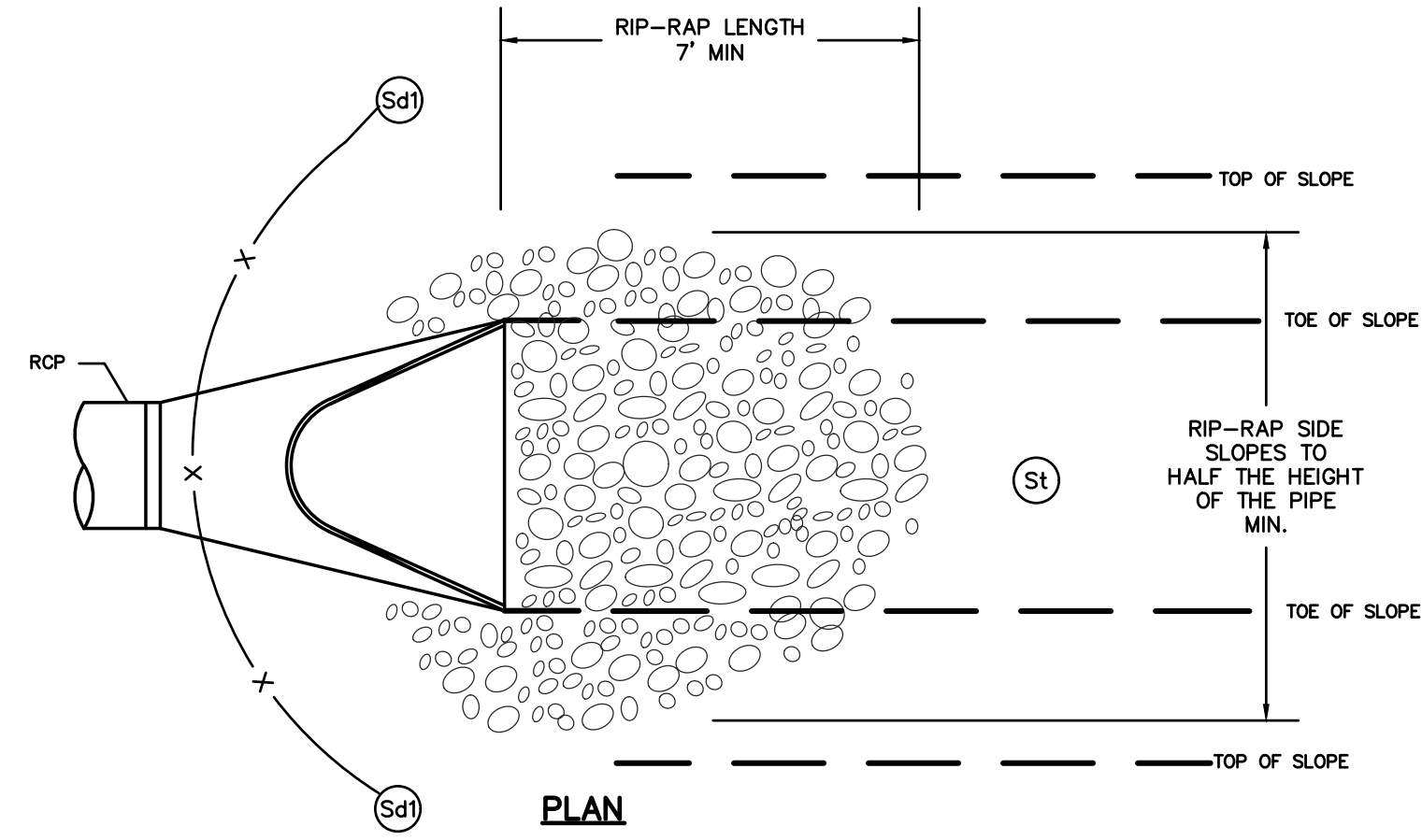
PROPOSED PIPE - PLAN



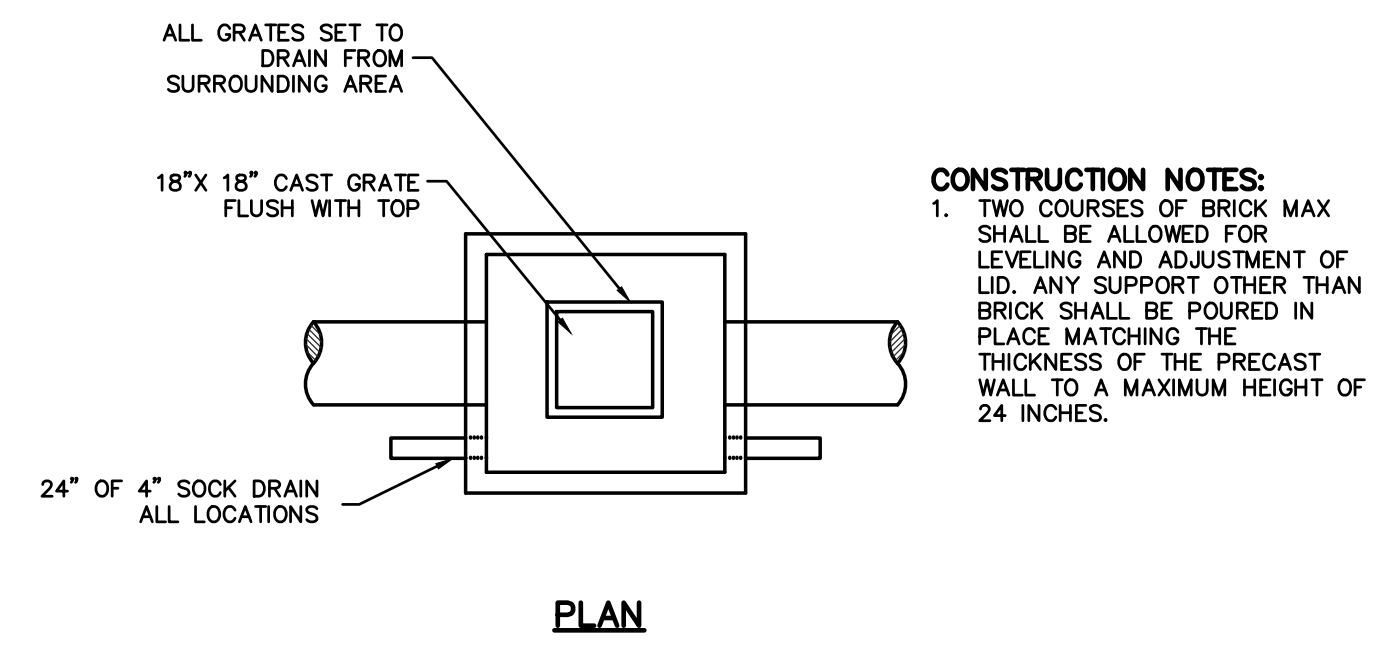
PROPOSED PIPE - PROFILE



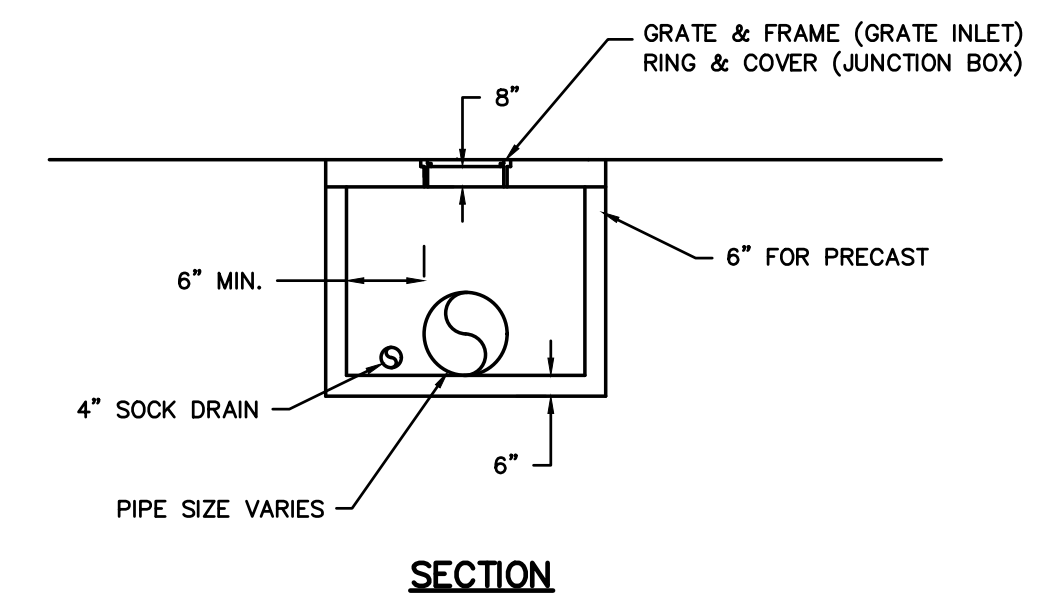
SLOTTED PIPE DETAIL
N.T.S.



PRECAST FLARED END SECTION
N.T.S.

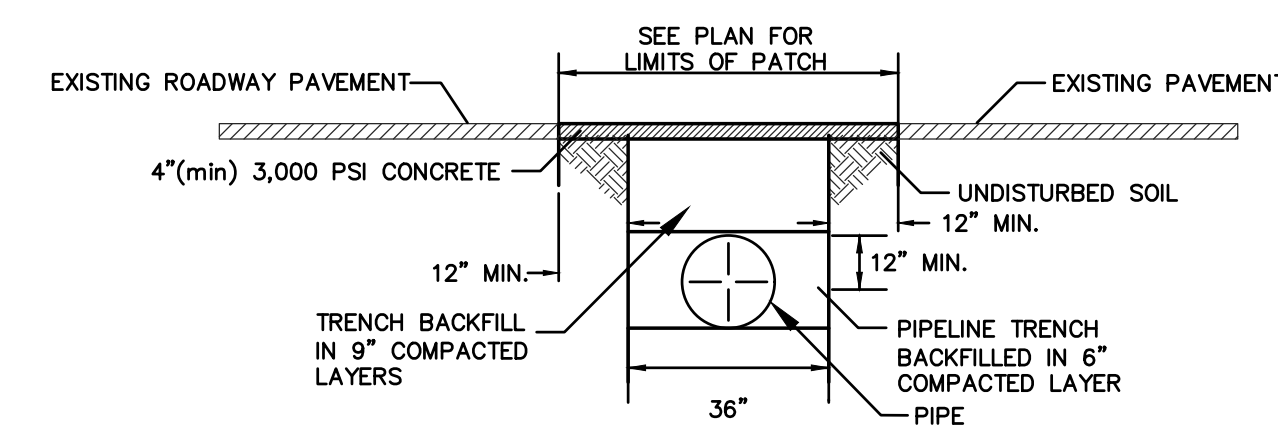


PLAN



SECTION

JUNCTION BOX / GRATE INLET
N.T.S.



PAVEMENT PATCH OVER PIPE DETAIL
N.T.S.



DATE: _____

309 NORTH MAIN STREET
P.O. BOX 649
HINESVILLE, GA 31313
TEL: (912) 368-5212

1050 PARKSIDE COMMONS
SUITE 101
GREENSBORO, NC 27402
TEL: (766) 454-6870

P.C. Simonton & Associates, Inc.
Consulting Engineers

Sequoia Circle Drainage
Improvements
City of Hinesville
Sequoia Circle
Liberty County, Georgia

Plan, Pipe Profile & Details

DATE: MAY 28, 2019
FILE NO: 2017-981PRJ
SHEET: 1

THIS DRAWING IS AN INSTRUMENT OF SERVICE AND REMAINS THE PROPERTY OF P.C. SIMONTON & ASSOCIATES, INC. NO PART OF THIS DRAWING OR INFORMATION CONTAINED HEREIN IS TO BE REPRODUCED, COPIED, OR TRANSMITTED IN ANY FORM OR BY ANY MEANS, WITHOUT PERMISSION OF P.C. SIMONTON & ASSOCIATES, INC. THE INFORMATION CONTAINED HEREIN IS INTENDED FOR THE PROJECT AND SITE SPECIFICALLY IDENTIFIED AND IS NOT TO BE USED FOR ANY OTHER PROJECT OR SITE. P.C. SIMONTON & ASSOCIATES, INC. ASSUMES NO RESPONSIBILITY FOR DATA GENERATED, ALTERED OR STAKED FROM THIS DRAWING. IN THE EVENT OF A DISPUTE, HARD COPY SHALL PREVAIL OVER ANY ELECTRONIC MEDIA.
 P.C. SIMONTON & ASSOCIATES, INC.